

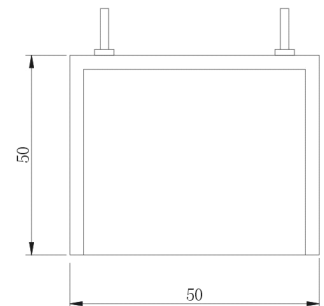
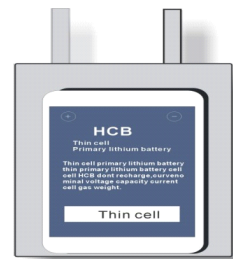


# Thin cell Primary lithium batteries

## Cf105050

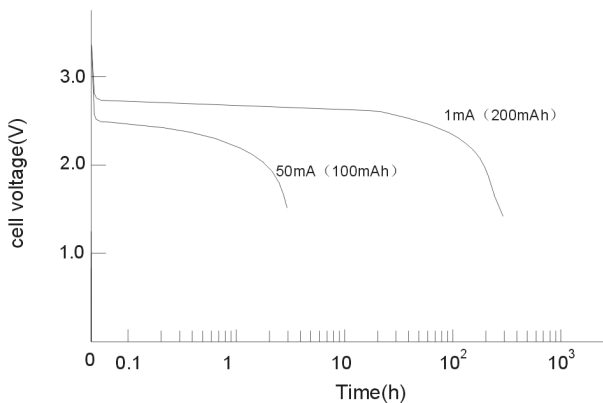
### 3.0V primary lithium-manganese dioxide Li-MnO<sub>2</sub> power type Spiral cell

Nominal capacity (at 1mA 2.0V cut off, the capacity restricted by the cell varies according to current drain, temperature and cut off).	200mAh
Open circuit voltage	3.0V
Nominal voltage	3.0V
Max. continuous current	50mA
Max. pulse current	80mA
Weight	3.9g
Thickness(max)	1mm
Width(max)	50mm
Length(max)	50mm
Operating temperature range	-40~+60°C



Unit:mm

Typical 1mA, 50mA Discharge current



Low temperature performance  
(At 0°C and 23±2°C @ 1mA discharge current)

