



1. Application range

Lithium Manganese Dioxide cell battery, Model WR26500
Manufacturer: HCB Battery Co.,Ltd.

2. Objective

To regulate the performance index and test method of WR26500, as well as guidelines and warnings.

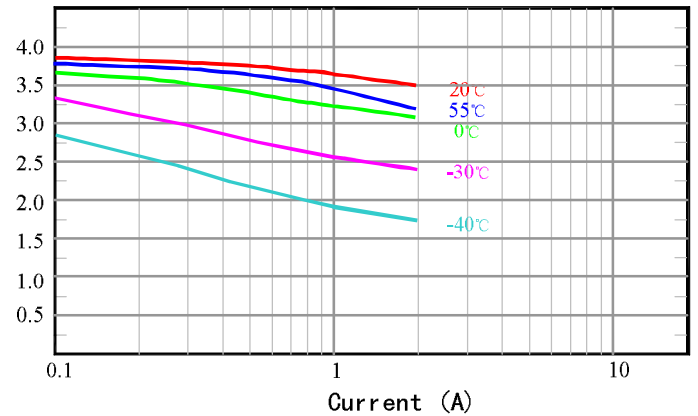
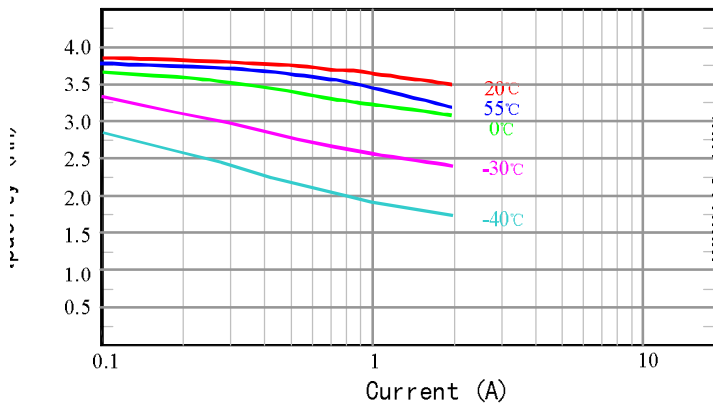
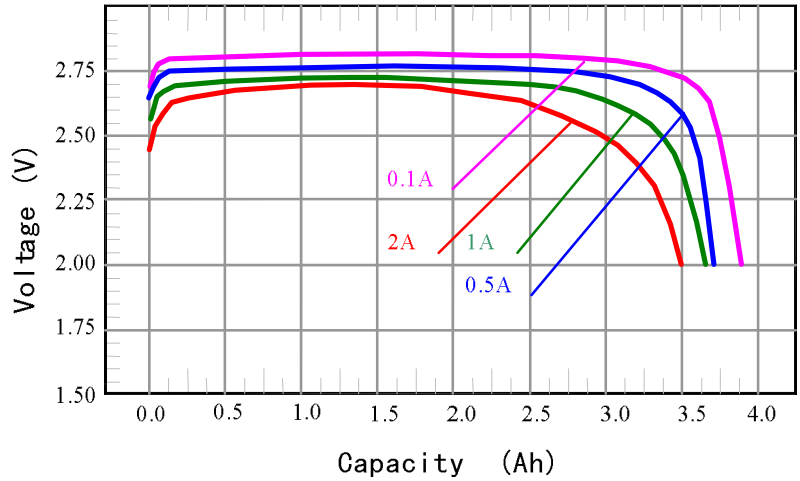
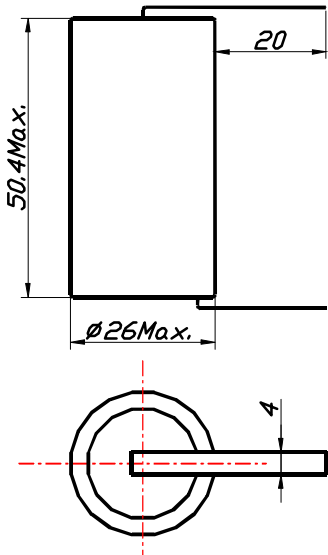
3. Technical parameter

- Model: WR26500
- Nominal voltage: 2.9V
- Nominal capacity: 3800mAh (Continuous discharging at 200mA until 2.0V end-voltage at 23±2°C)
- Max. constant current: 2000mA
- Max. pulse current: 3000mA
- Operating temperature range: -56°C~+65°C
- Nominal weight: 49.0g
- Max. Outer dimensions: as drawing.

4. Notes

- Dimension: mm
- Special terminations can be Made as requested.
- T: Solder tabs
- P: Axial pins
- Self discharge rate per year 3%
- Storage life time 10 years at Room temperature

Discharge Characteristics at(20±2°C)



Warning:

- Do not short or charge the battery.
- Over-discharging, crushing, incinerating, and disassembling the battery are prohibited.
- Do not heat/use the battery beyond the permitted temperature range.

5. Application

Radio communication transmitter-receiver, underwater weapons, medical instruments,RFID active tag/card, automatic sanitaryware, intelligent IC card, PC computer RAM,CMOS memory backup powersupply, portable communication equipment,time counter, number counter and so on.